

# OR-TEC SEPTAGE RECEIVER

## *Screen, Wash and Compact Septage*

The OR-TEC Septage Receiving Unit (OSR) screens, compacts and washes waste directly from the septage hauler. The unit is simple to install and it ensures that the septage entering the plant has been thoroughly screened. Screenings are washed, compacted and elevated to a convenient height for disposal.

The unit is provided with a 1/4" perforated stainless steel screen

### Construction material

Stainless Steel AISI 304 or AISI 316

The screw can be constructed of AISI 304 or AISI 316 stainless steel or coated 8620 micro alloy carbon steel

### Applications

- WWTTP Headworks
- Septage Receiving Plants



### Features

- Quick Disconnect for Septage Haulers
- Motorized inlet valve
- Wash station in compacting zone
- Wash station in inlet basket zone
- Wash stations in tank & transport zone
- Stainless steel liner bars increase time between replacements
- Rock/Stone trap at inlet
- Control Panel with PLC operation and easy to operate controls
- Available with heat tracing and insulation

Model:  
OSR

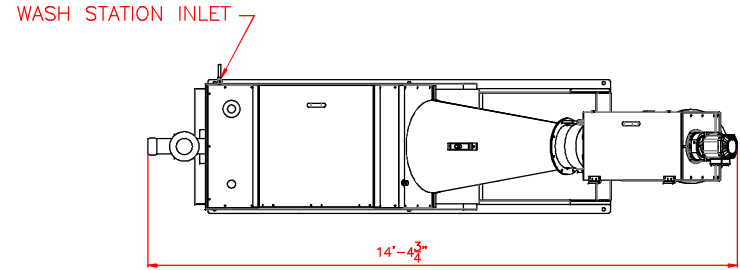
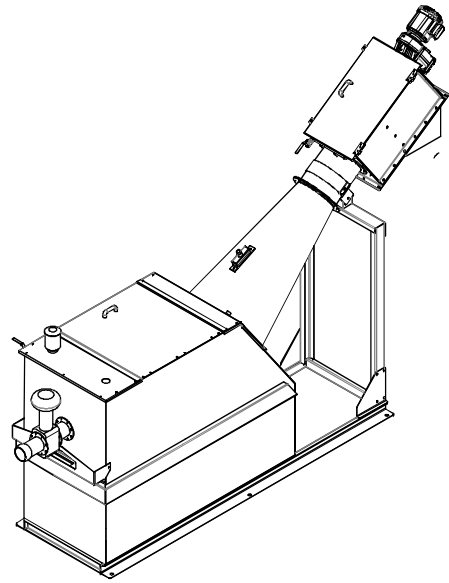
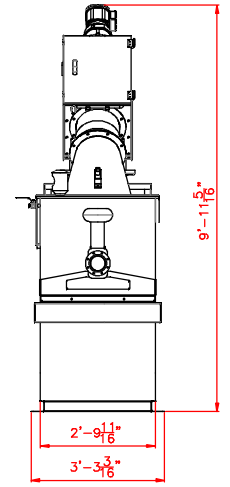
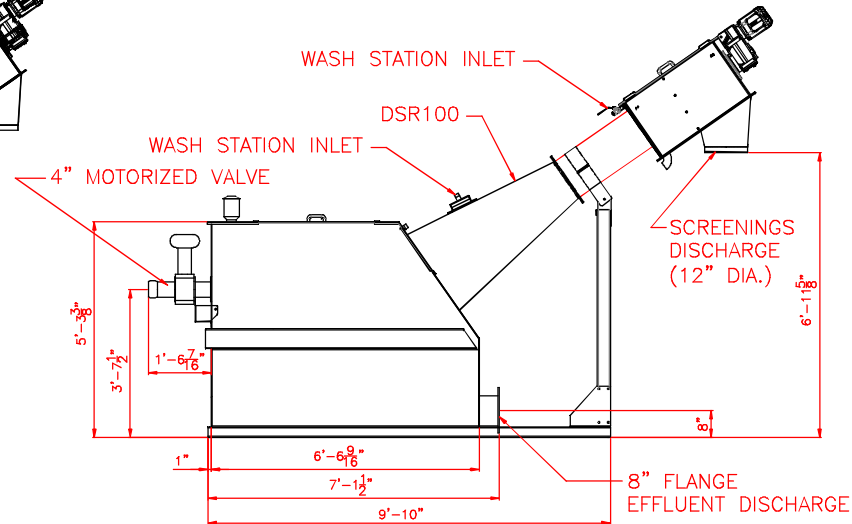
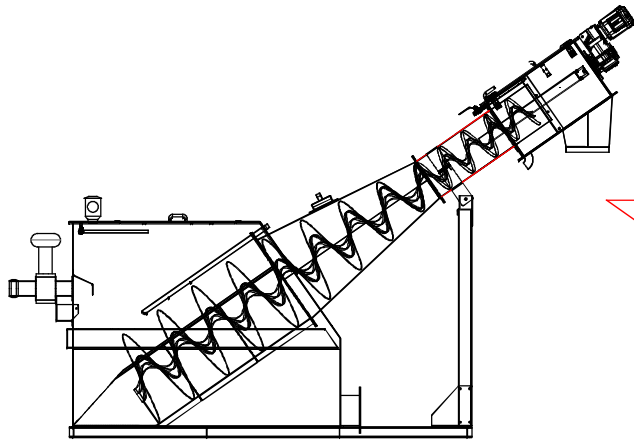
Capacity:  
Up to 400 gpm

Screen Sizing:  
1/4"

14500 Industrial Ave. South  
Maple Heights, OH 44137  
P: 216-475-5225  
F: 216-475-5229  
info@or-tec.com

[or-tec.com](http://or-tec.com)





**PROPRIETARY STATEMENT**  
 THE INFORMATION CONTAINED HEREIN IS PROPRIETARY, AND FURNISHED IN CONFIDENTIALLY AND NOT TO BE DISCLOSED, USED, OR DUPLICATED FOR ANY PURPOSE OTHER THAN INTENDED, WITHOUT THE PRIOR WRITTEN PERMISSION OF OR-TEC INC. THIS LEGEND SHALL BE MARKED ON ANY REPRODUCTION HEREOF, IN WHOLE OR IN PART. RECEIPT OF THIS MATERIAL SHALL BE DEEMED TO BE AN ACCEPTANCE OF THE CONDITIONS SPECIFIED HEREIN.

BY	REV	DATE	DESCRIPTION

TITLE <b>GENERAL ARRANGEMENT OSR100</b>			
DRAWN BY MCP	OR-TEC INCORPORATED 14500 SOUTH INDUSTRIAL RD MAPLE HEIGHTS, OHIO USA 216-475-5225		
DRAWN DATE 01/27/14	CHECKED BY	SIZE A	REV. 03
CHECKED DATE	SCALE		LAYOUT SHEET 10F2