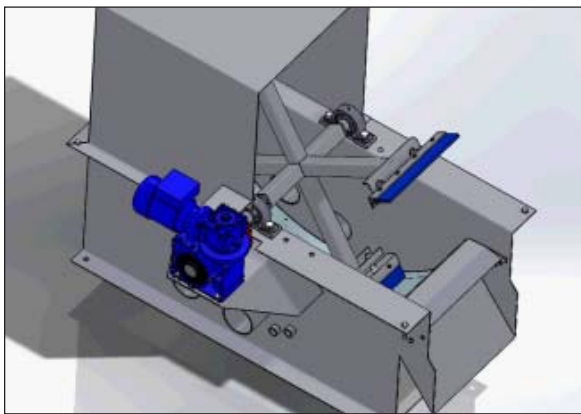


OR-TEC ROTARY BRUSH SCREEN



OR-TEC Rotary Brush Screens are perfect for MBR (membrane bioreactors) and the headworks for municipal and industrial treatment plants where affordable and efficient fine screening is required. Units are manufactured from stainless steel and can be provided with a variety of screen perforation sizes from 1mm and up. They can also be provided with wedgewire screen beds as required



Slowly rotating brushes remove screened particles and a dampened scraper system discharges them from the screen ready for disposal

Units can be provided with

- Hoppers for filtrate collection
- Compactor washers
- Level sensing and controls
- Hazardous location applications

14500 Industrial Ave. South
Maple Heights, OH 44137
P: 216-475-5225
F: 216-475-5229
info@or-tec.com

or-tec.com



OR-TEC ROTARY BRUSH SCREEN

Flowrates and Capacity

Screen Size	ODS2	ODS4	ODS8	ODS12	ODS16	ODS24	ODS30	ODS60
mm	GPM	GPM	GPM	GPM	GPM	GPM	GPM	GPM
2	60	130	260	410	550	700	1,700	3,500
1	40	80	150	230	310	400	1,100	2,100

Effluent	Coefficient*
Typical Municipal (200-500mg/l)	1
Typical Municipal with storm water	1.3
Food and Beverage Processor	0.7
Tannery or Textile	0.6
Slaughterhouse	0.5

**Multiply flowrate by coefficient for specific application capacity*

INLET: FLANGED

DISCHARGE: OPEN BOTTOM DISCHARGE

OPTIONS:

HOPPER BOTTOM with FLANGED DISCHARGE

SUPPORT STRUCTURE

CONTROL PANEL

SCREENINGS BAGGER

SCREENINGS AUGER



or-tec.com